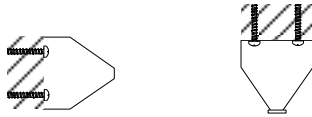
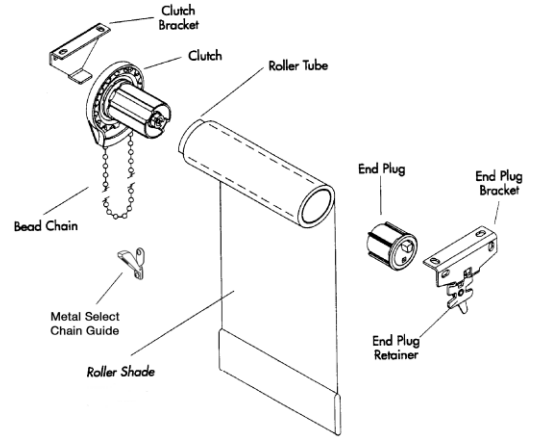


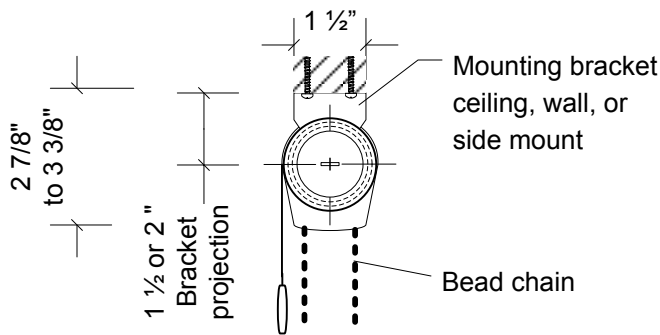


# INSOLROLL INTERIOR CLUTCH SHADE

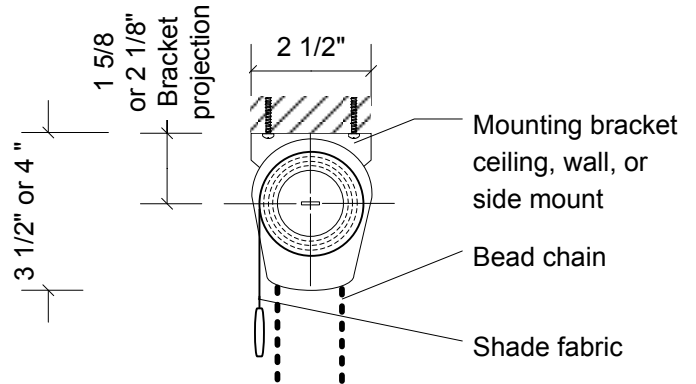
## Manual Clutch with Exposed Roller



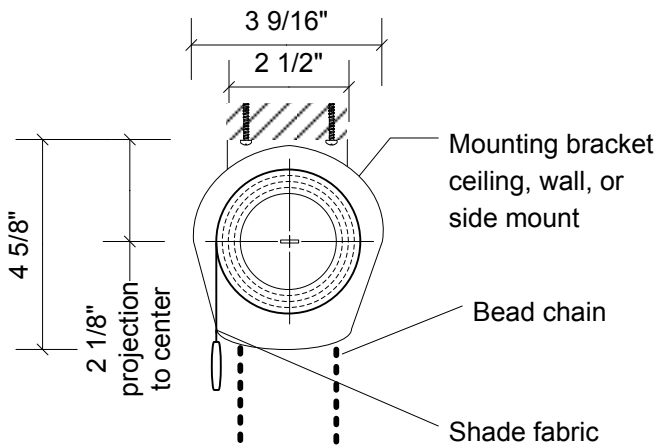
All brackets shown are available as wall or ceiling mount



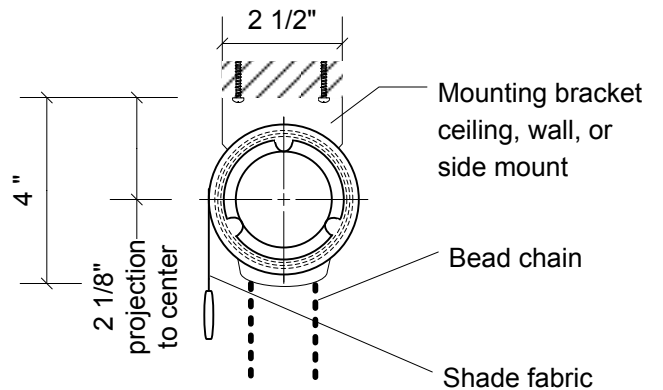
**R 8 Clutch standard bracket**



**R 16 Clutch standard bracket**



**R 24 Clutch standard bracket**



**SA Spring-Assist Clutch standard bracket**

**Notes:**

1. Maximum clutch lift capacity for R 8 clutch = 8 lbs, R16 clutch = 16 lbs, R 24 clutch = 24 lbs and G30 spring assist clutch= 30 lbs.
2. Shade Roll Diameter varies depending upon shade height, fabric, and roller tube specified.
3. All Clutch operated shades must have child safe Metal Select or Universal locking chain guide.tension device compliant with American National Standard for Safety of Corded Window Covering Products (ANSI/WCMA A100.1-2012).