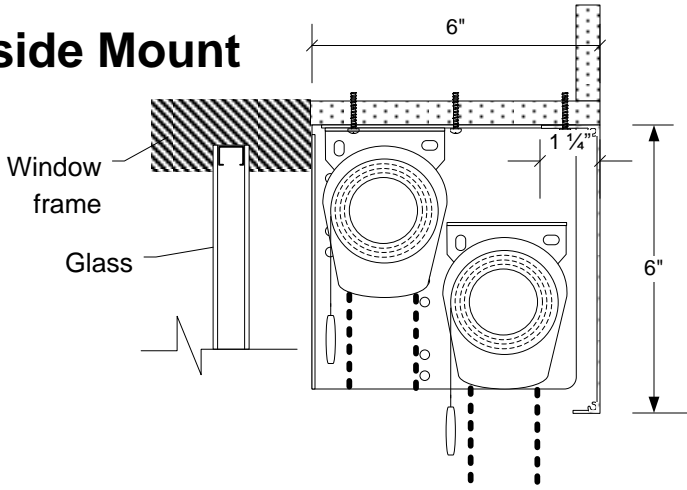




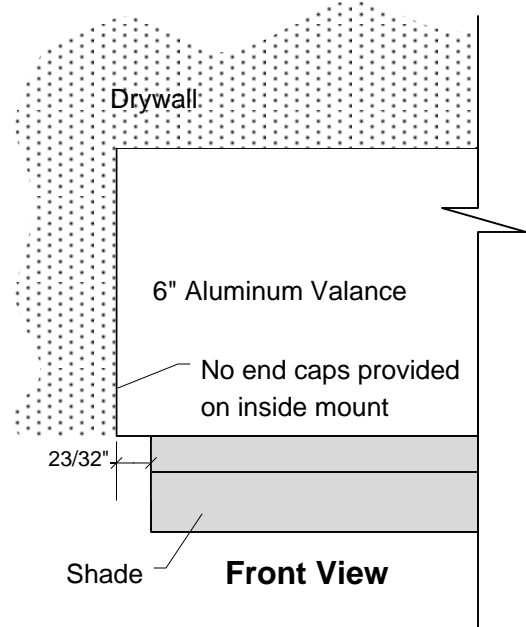
INSOLROLL INTERIOR CLUTCH SHADE

Dual Clutch Shade with 6" Valance

Inside Mount

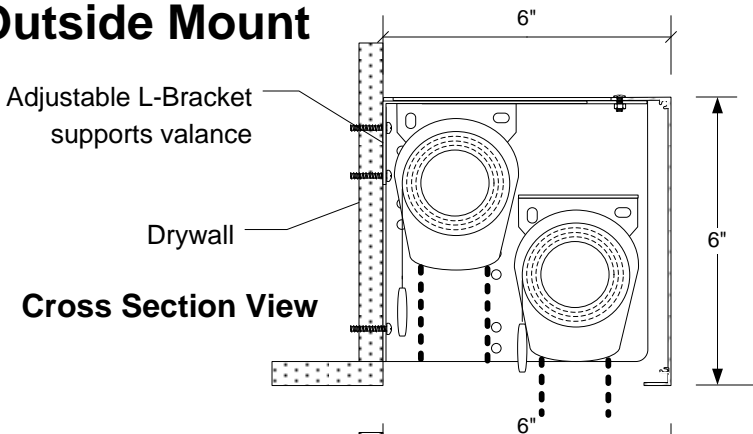


Cross Section View

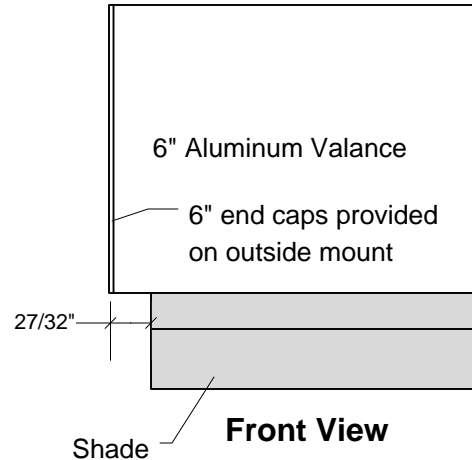


Front View

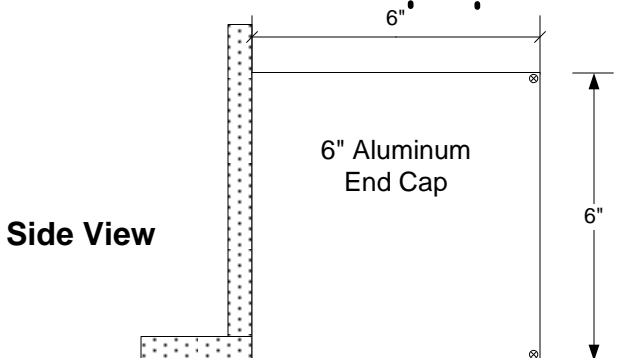
Outside Mount



Cross Section View



Front View



Side View

Notes:

1. No end cap provided for inside mount.
2. 6" x 6" end caps will be provided for outside mounts. Outside valance with end caps width will be 1/4" wider than shade bracket to bracket width.
3. A partial inside mount must be ordered as inside mount with no returns or outside mount with installer making deductions desired to make fit.
4. Bracket system and valance will work for R-8, R-16, BAT-R, & IQM-DCR operators.