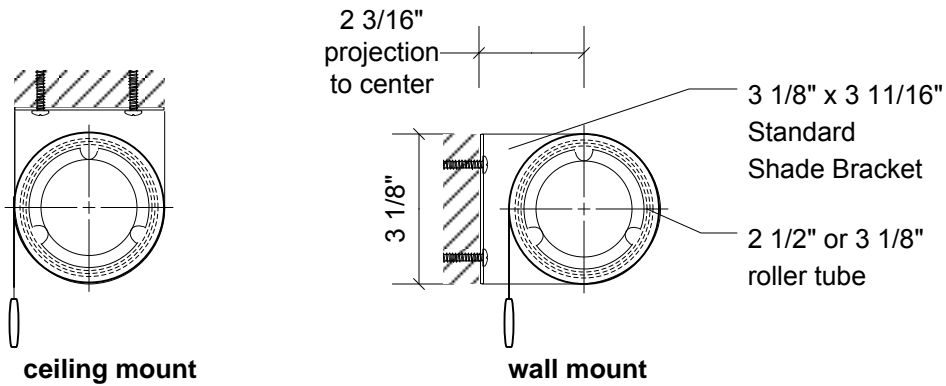




INSOLROLL INTERIOR MOTORIZED SHADE

110 V AC Motor with Exposed Roller (UL Listed System)



110 V AC Shades with Exposed Roller for Single or Coupled Shades

Notes:

1. Insolroll Shades with 110 V AC Motors (STD-AC, STD-ACR, STD-ILT-AC, IQM-AC, IQM-ACR, IQM-ILT-AC) are complete UL Listed systems with a 10' SJT rated pigtail and include a UL Listed label on roller tube.
2. Shade Roll Diameter varies depending upon shade height and fabric and roller tube specified.
3. This bracket detail is also available for STD-DC motors.