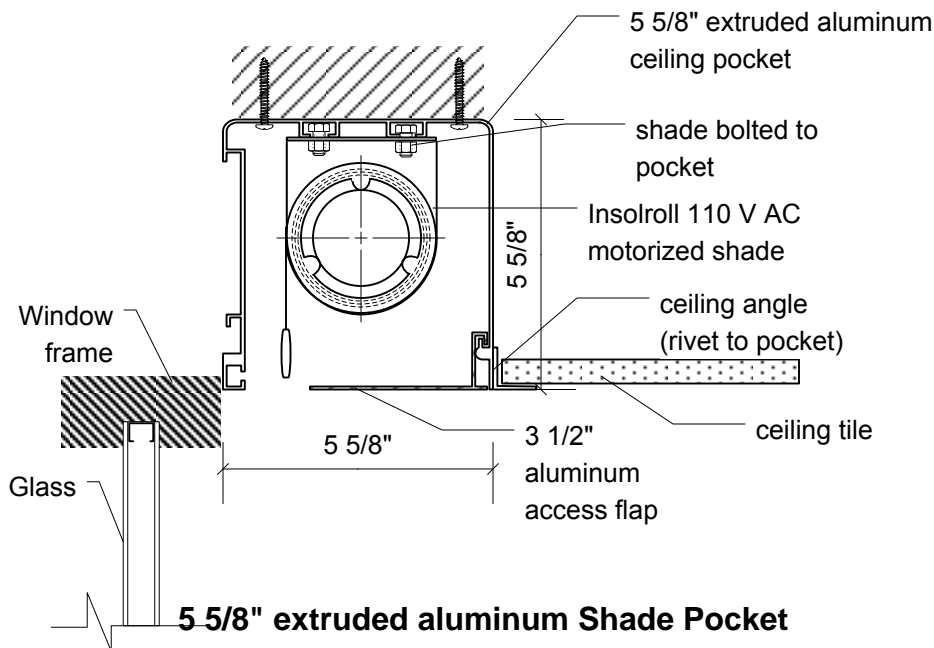
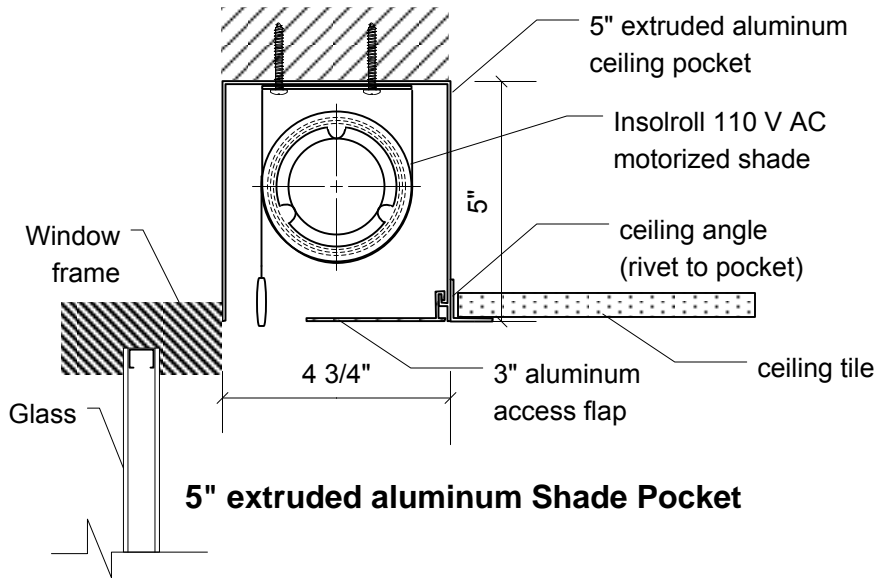




INSOLROLL INTERIOR MOTORIZED SHADE

110 V AC Motor in Shade Pocket (UL Listed System)



Notes:

1. 5 5/8" pocket has screw on aluminum end caps.
2. Shade Roll Diameter varies depending upon shade height and fabric and roller tube specified.
3. Insolroll Shades with 110 V AC Motors (STD-AC, STD-ACR, STD-ILT-AC, IQM-AC, IQM-ACR, IQM-ILT-AC) are complete UL Listed systems with a 10' SJT rated pigtail and include a UL Listed label on roller tube.