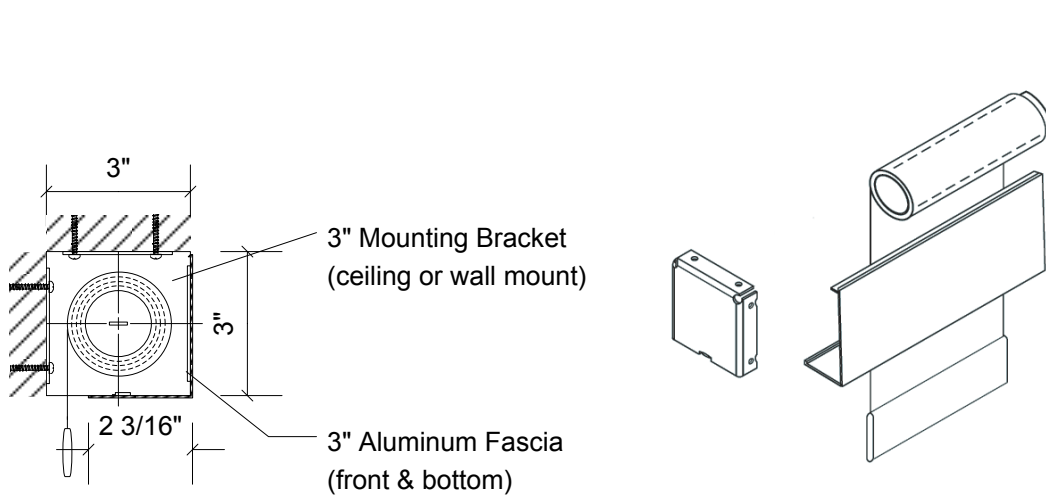


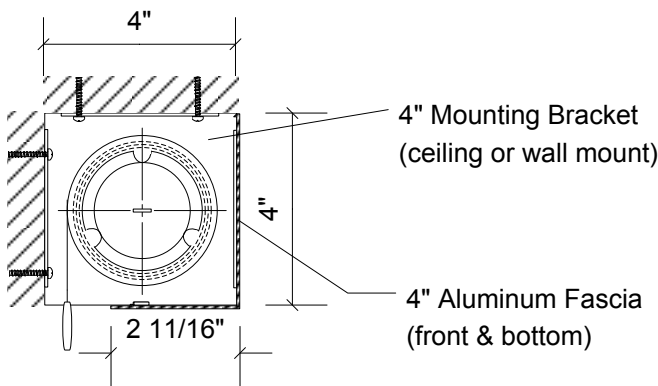


# INSOLROLL INTERIOR MOTORIZED SHADE

Motorized Shades with Fascia



## 3" Fascia with DC or Battery Motor Shade



## 4" Fascia with 110 V AC motor shade

**Notes:**

1. DC motors (IQM-DCR only) and Battery motors are compatible with 3" fascia.
2. Insolroll Shades with 110 V AC Motors are compatible with 4" fascia (STD-AC, STD-ACR, STD-ILT-AC, IQM-AC, IQM-ACR, IQM-ILT-AC) are complete UL Listed systems with a 10' SJT rated pigtail and include a UL Listed label on roller tube.
3. Shade Roll Diameter varies depending upon shade height and fabric and roller tube specified.