

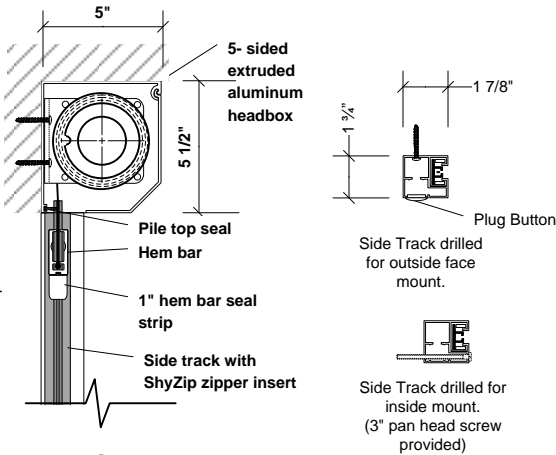


OASIS 2900 SOLAR INSECT SCREEN

Built-in Shade Applications for New Construction

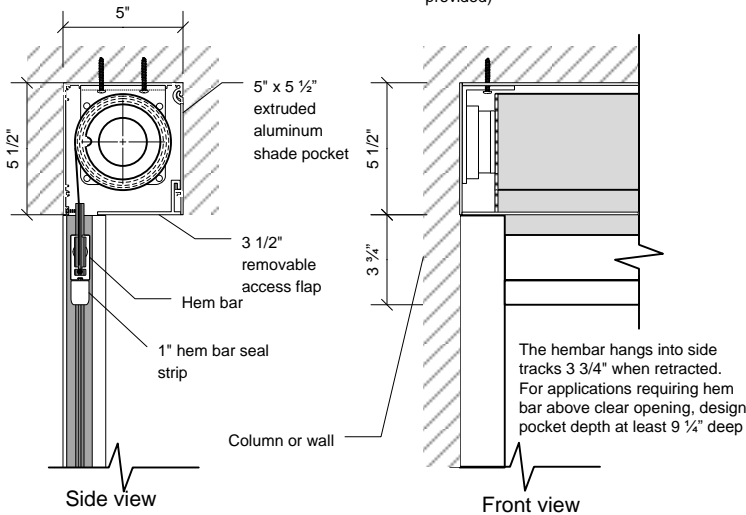
How to detail Oasis 2900 into structure.

Installation details vary dramatically from project to project. Applications shown can give you ideas to incorporate into your next project. Pay attention to shade access, clear opening height, side track mount, and electrical.



Building 5" headbox into structure.

- 5" x 5 1/2" aluminum headbox can be integrated into architecture for easy access to shade by removing front/bottom cover. Wall or ceiling mount.
- Side track can be pre-drilled for face mount or side mount as shown.

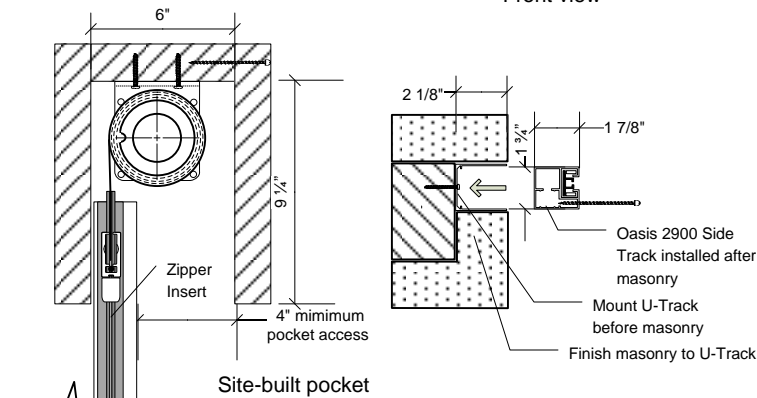


Oasis 2900 shades can be built into soffit with aluminum pocket

- 5" x 5 1/2" aluminum shade pocket with access flap.
- Shades require access from the bottom.
- Trim can be attached to pocket or access flap if desired.
- Shades hang down into side tracks 3 3/4".

Side tracks can be built into masonry column with U-track

- 1 15/16" x 2 1/18" U-track should be installed prior to masonry.
- Track should be cleaned after mason and shade installed at later date.
- If also using pocket application, pocket should be made wider or taller to accommodate shade that is wider than inside column dimension. Access must be provided to install or remove shade. Consult with Insolroll to insure your pocket design will work.



Site-built pocket and valance designs

- Site-built pockets allow greater flexibility to conceal hem bar and provide total clear opening when retracted. Provide enough pocket depth to remove shade or removable valance.
- Wood framing or masonry can be used for a variety of pocket and valance designs. Please keep shade access in mind when designing a custom solution.

Electrical Considerations

- Motor comes with a 10' pigtail to hardwire into J-box (molded plug for duplex outlet).
- Electrical J-Box connection is typical with plate installed next to shade.
- Shade can be ordered with left or right hand motor. (see wiring drawings)

