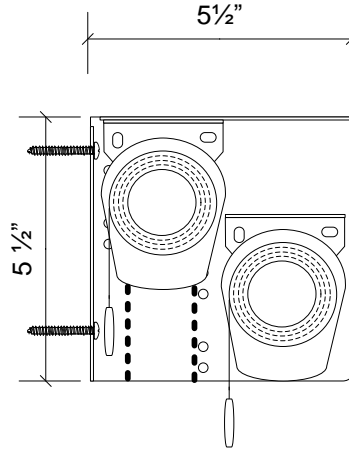
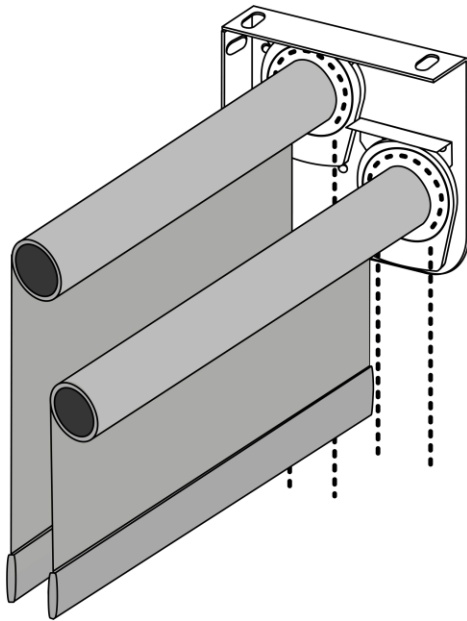


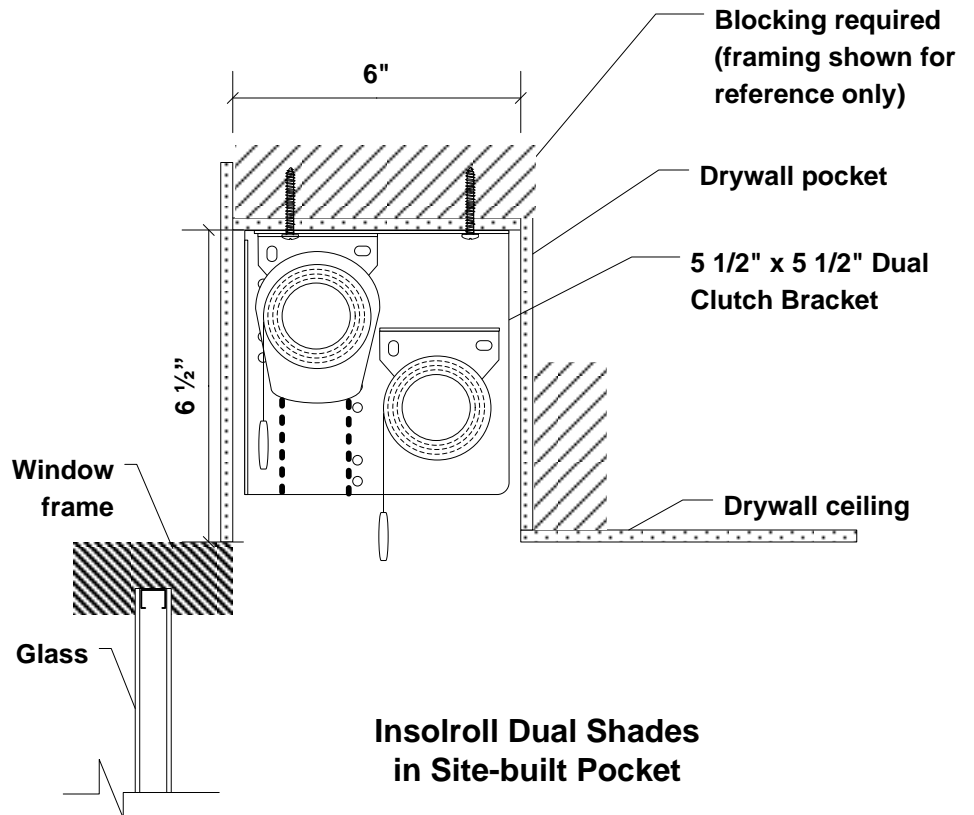


INSOLROLL DUAL 5 1/2" EXPOSED BRACKET

for clutch or small motor shades in site-built pocket



Wall mount or ceiling mount



Insolroll Dual Shades in Site-built Pocket

Notes:

1. Shade Roll Diameter varies depending upon shade height, fabric and roller tube specified.
2. 5 1/2" dual bracket can be used with clutch operators (R8 or R16) or small motor operators (IQM-DCR, IQM-ILT-DC, or BAT-R).
3. Operators can be handed: Left/Left, Right/Right, Left/Right, or Right/Left.